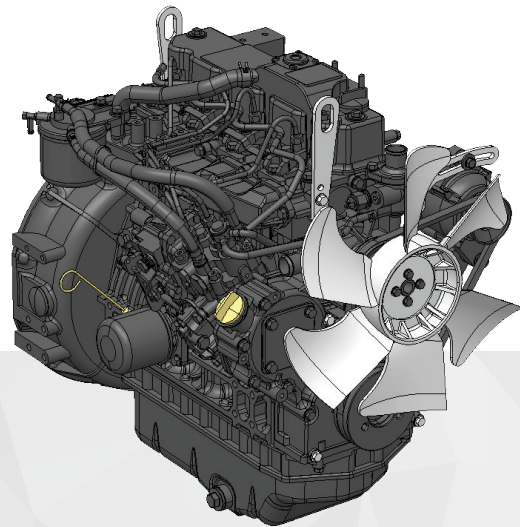


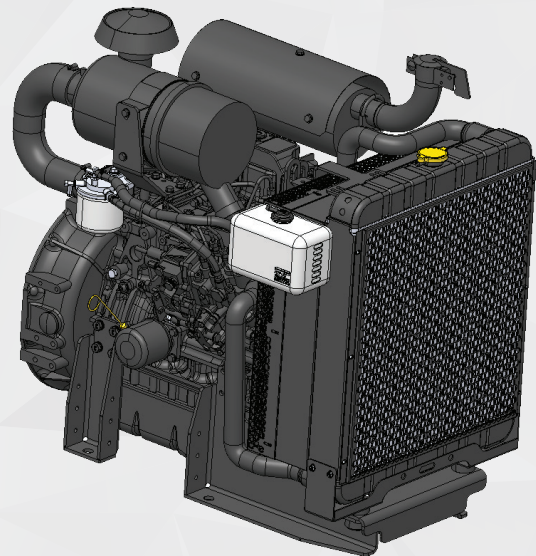
4TNV88-BGGES

4TNV88-BGGES-PPG



4TNV88-BGGES

LENGTH w/fan in (mm)	27.2 (691.5)	HEIGHT in (mm)	26.1 (662)
WIDTH in (mm)	20.5 (521)	WEIGHT (DRY) lbs (kg)	386 (175)



4TNV88-BGGES-PPG

LENGTH w/fan in (mm)	37.7 (957.4)	HEIGHT in (mm)	34.7 (881.4)
WIDTH in (mm)	26.7 (676.8)		

TYPICAL GENERATOR OUTPUT kWe (Standby)	19.8
TYPICAL GENERATOR OUTPUT KWE (PRIME)	18
CONTINUOUS GROSS ENGINE POWER hp (kW)	27.4 (20.5)
FUEL CONSUMPTION gal/h (l/h)	1.75 (6.61)
REGULATION	EPA Emergency Stationary
CYLINDERS	4
BORE X STROKE (mm)	88 x 90
DISPLACEMENT L (ci)	2.19 (134)
RATED SPEED rpm	1800
COMBUSTION TYPE	Direct Injection
ASPIRATION	Naturally Aspirated
GOVERNOR TYPE	Mechanical
LUBRICATION SYSTEM	7.4L Capacity Oil Pan
ELECTRICAL SYSTEM	12V-40A
FUEL SYSTEM	YPD-MP2 (Mechanical)
COOLING SYSTEM	Water Pump Belt Driven
POWER TAKE OFF	FWH:SAE 4 FW: SAE 7.5



PURE. RELIABLE. POWER.

YANMAR is engaged in the relentless pursuit of high efficiency, low emission, diesel engines. With technology that already meets the next generation of environmental emissions standards, YANMAR is providing sustainable solutions towards a new era of prosperity.

www.yanmar.com
770.877.9894

©2022 YANMAR America Corporation. Engine photo may not reflect actual specifications. The information in this brochure is accurate as of the date of printing and subject to change. All rights reserved by and belong to YANMAR®.

1st. kW rating with fan loss included • 2nd. gal/h calculated from g/kWh using fuel weight of .82 and gross rated output
3rd. Generator kW rating based on generator efficiency of 92%, at sea level. • 4th. States & local areas may have additional requirements for emergency stationary engines. Not permitted for use in California.